

Knürr Lumax

Lighting Solution For Control Rooms And Technical Furniture



Knürr Lumax

Professional illumination for workstations





New standards of LED workstation lamps

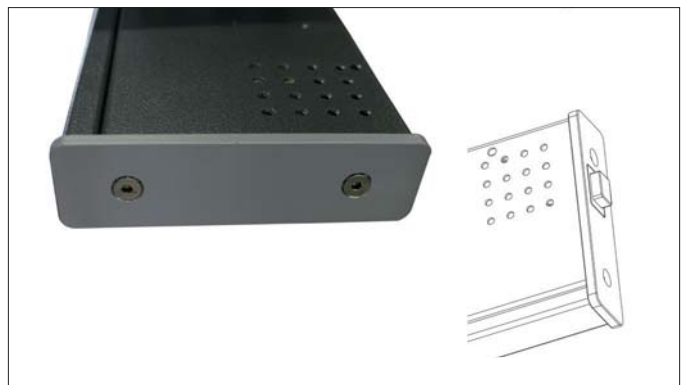
- Available as **extra-wide version** (1,700 mm) for full tabletop illumination of large control room consoles
- **“Touch DIM”** feature via push button on the lamp or at the table top
- **“Plug and Light”**, no electrically qualified person required for installation
- Available as **workstation lamp** or **system light**
- Perfect fit to Knürr consoles to Knürr **multi functional rails**
- **Constant illumination** of the work surface by use of highly efficient LEDs
- **Unobtrusive cable raceways** in both extension arms

- Modern and slim design
- Future proof through optional DALI interface

- Dimmer on lamp or remote from push button
- 20° tiltable



Fits height-adjustable to Knürr's multi-functional rail



Optional: integrated push button (for dimming) in lamp or at table top

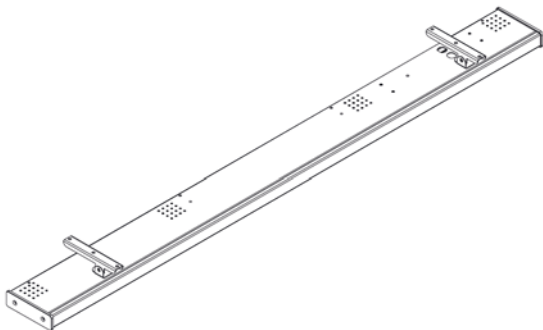
Knürr Lumax

Perfectly matching lighting solutions

The new Knürr Lumax LED series offers a wide range of task lights, specially tailored to Control Room needs.

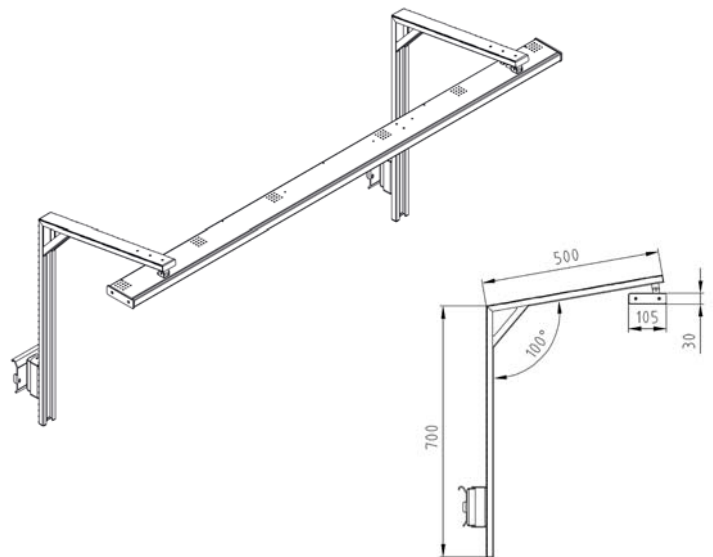
Workstation lamp

The underfit lamp offers perfect illumination for electronics-, test and assembly workstations and can be retrofit at any time.

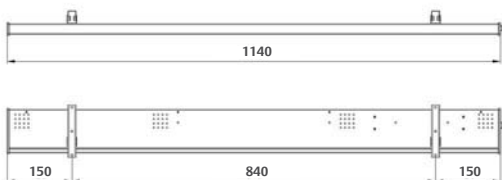


System light

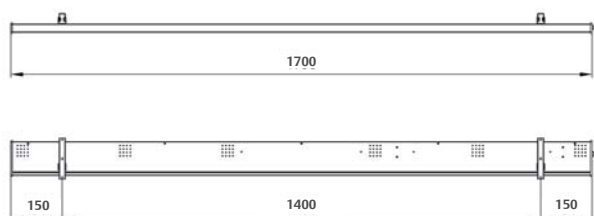
The individually adjustable overhead lamp for Knürr's multifunctional rail offers an optimum of light for any work surface.



Details of Knürr Lumax LED 1140 / 4000K



Details of Knürr Lumax LED 1700 / 4000K



With
optional
DALI
interface



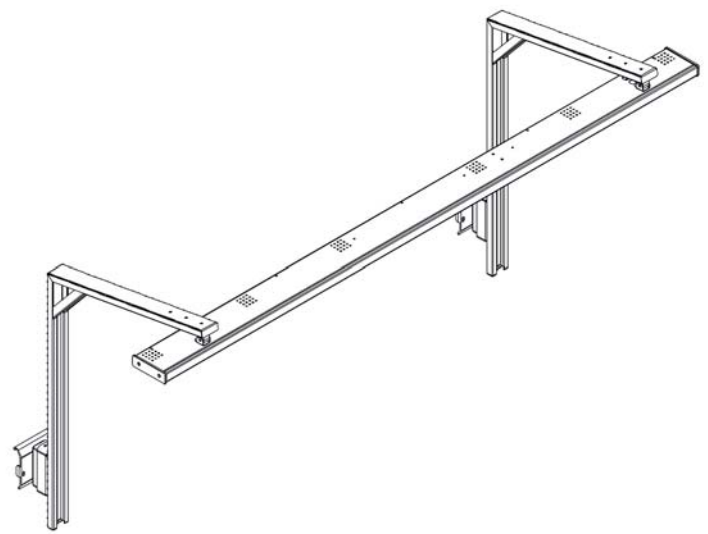
Knürr Lumax

Perfect matching light solution

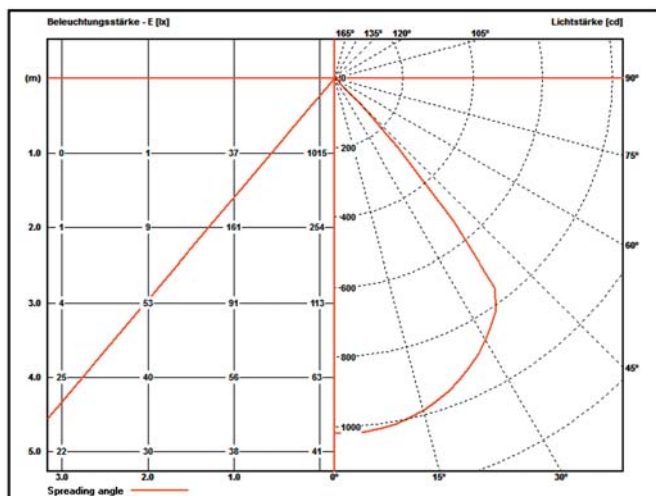


Knürr Technical Furniture GmbH offers complete and comprehensive solutions for your technical furniture project.

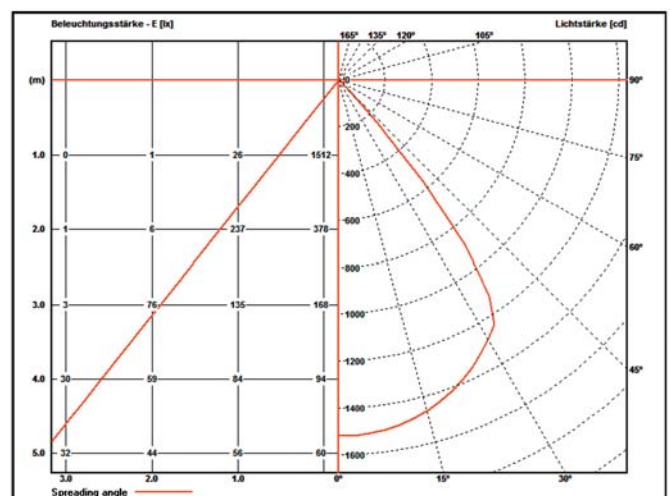
In focus are all relevant criteria of **work-efficiency and standard-compliance in workplace environments**. We can give assistance from an early design phase on and actively support your planning process and coordinate all trades if needed.



➤ Lux- and Candela diagram Knürr Lumax LED 1140 / 4000K



➤ Lux- and Candela diagram Knürr Lumax LED 1700 / 4000K



Photometric test according to
DIN EN 13032-1 and prEN 13032-4:2013

Technical data	1140	1700
- Luminous flux:	2160lm	3255lm
- Light efficiency:	80,18 lm/W	83,85 lm/W
- Colour temperature:	4000K	4000K
- Colour rendering:	Ra >80	Ra >80
- Colour Matching (SDCM):	4	4
- Ø average Lifetime (LED):	50.000h	50.000h
- Power consumption:	max. 27W	max. 39W
- Dimming:	1-100%	1-100%



Knürr Lumax LED lamp Workstation or system installation

- Dimmable with „Touch DIM“ feature via push button on the lamp or at tabletop
- Perfect fit for Knürr consoles (adaptors for Knürr's multi functional rails)
- 20° tiltable

Material
Sheet steel powder coated

Dimensions
Width: 1140mm/1700mm
Height: 30 mm (without adaptors)
Depth: 100mm

- Color combinations**
 - Lamp and supports : iron mica metallic microstructure
 - Side panel: Aluminium RAL9007 microstructure

- Supply schedule**
 - 1x LED lamp with integrated LED driver
 - Version with offset switch: 1x module with external push button for switching and dimming
 - Overhead system lamp: with adaptors to Knürr's multi functional rail
 - 1x Schuko lead (3m)
 - Mounting material

How supplied
Pre-assembled

Model	Description	Order no.	UP
Knürr Lumax LED 1140U 4000K int.	Workstation lamp with integrated push button	00.350.182.9	1 unit
Knürr Lumax LED 1140U 4000K ext.	Workstation Lamp with offset push button (below table top)	00.350.183.9	1 unit
Knürr Lumax LED 1140B 4000K ext.	System Light with offset push button (below table top)	00.350.185.9	1 unit
Knürr Lumax LED 1700U 4000K int.	Workstation lamp with integrated push button	00.350.186.9	1 unit
Knürr Lumax LED 1700U 4000K ext.	Workstation Lamp with offset push button (below table top)	00.350.187.9	1 unit
Knürr Lumax LED 1700B 4000K ext.	System Light with offset push button (below table top)	00.350.189.9	1 unit

Ergonomically designed products and solutions from a single source

Emerson Network Power, a business of **Emerson** (NYSE:EMR), delivers software, hardware and services that maximize availability, capacity and efficiency for data centers, healthcare and industrial facilities.

Learn more about Emerson Network Power products and services at www.EmersonNetworkPower.eu

Knürr Technical Furniture as business unit manufactures and develops workstations for electronics labs and mobile equipment carriers for healthcare and automotive industries. Furthermore Knürr is the specialist for height adjustable control room workstations.

Learn more about Knürr Technical Furniture products and services at www.technical-furniture.com

Emerson Network Power
Global Headquarters
1050 Dearborn Drive
P.O. Box 29186
Columbus, OH 43229, USA
T +1 614 8880246

Knürr Technical Furniture GmbH
Mariakirchener Straße 38
94424 Arnstorf
Germany
T +49 8723 28 0
F +49 8723 28 138
furniture@knuerr.com
www.technical-furniture.com

While every precaution has been taken to ensure accuracy and completeness herein, Emerson assumes no responsibility, and disclaims all liability, for damages resulting from use of this information or for any errors or omissions. Specifications subject to change without notice.

Knürr and Knürr logo, Emerson, Consider it Solved, Emerson Network Power and the Emerson Network Power logo are trademarks and service marks of Emerson Electric Co. or one of its affiliated companies. ©2014 Emerson Electric Co. All rights reserved.