

Dacobas – Vertikaler Kabelkanal Elektroniker-Arbeitsplatz

Dacobas – Electronics laboratory workstation vertical cable duct

Dacobas – Gaine de câblage verticale de poste d'électronicien

Assembly Instructions

1

Allgemeine Hinweise

Weitere Dokumentation beachten



Achtung!
Montageanleitung „Dacobas – Tisch Elektroniker-Arbeitsplatz“ unbedingt beachten.

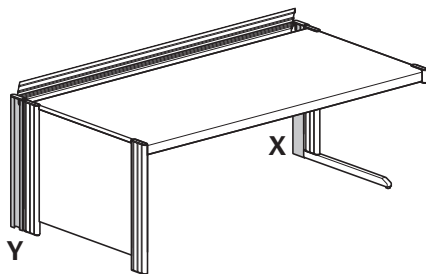
Gültigkeit

Diese Anleitung gilt für folgende Dacobas-Komponenten der Knürr AG:

- Vertikaler Kabelkanal Elektroniker-Arbeitsplatz

Versionen

- Kabelkanal für Verkettungsseitenteil X (im Folgenden detailliert abgebildet) mit Ausbruch zur Kabeldurchführung auf einer Seite und segmentierten Abdeckblechen auf der anderen Seite
- Kabelkanal für Abschlusseitenteil Y vollständig geschlossen auf einer Seite und mit segmentierten Abdeckblechen auf der anderen Seite.



Notwendiges Werkzeug

- Akkuschauber mit Kreuzschlitz-Schrauberbit

General information

Refer to the other documentation

Warning
See assembly instructions “Dacobas – Electronics laboratory workstation desk”.

Validity

This document applies to the following Dacobas components from Knürr AG:

- Vertical cable duct for electronics laboratory workstation

Versions

- Cable duct for linking side part X (shown in detail in the following) with cable passage hole break-out section on one side and segmented cover panels on the other side
- Cable duct for closing side part Y completely closed on one side and with segmented cover panels on the other side.

Tools required

- Cordless screwdriver with Philips screwdriver bit

Consignes générales

Respecter les indications ci-dessous

Attention !
Respecter impérativement les instructions de montage “ Dacobas – Table de poste d'électronicien ”.

Validité

Le présent manuel concerne les éléments Dacobas de Knürr AG suivants :

- Gaine de câblage verticale de poste d'électronicien

Versions

- Gaine de câblage pour élément latéral de raccordement X (détails sur le schéma ci-dessous) avec ouverture vers le passage de câble sur une face et avec plaques de protection segmentées sur l'autre face
- Goulotte à câbles pour élément latéral de fermeture Y fermée d'un côté et avec plaques de protection segmentées de l'autre côté.

Outils nécessaires

- Visseuse sans fil avec embout cruciforme

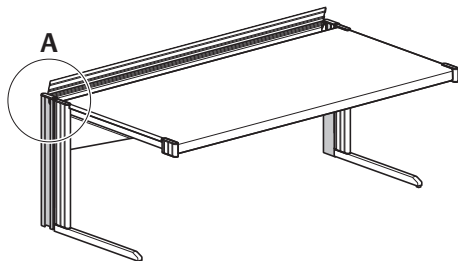
2 Montage

Kabelschacht befestigen

- Beim Abschlusseiteil muss die vollständig geschlossene Seite nach außen, die Seite mit den segmentierten Abdeckblechen nach innen zur Kabelwanne zeigen.
- Mindestens zwei Abdeckungen einsetzen A1, um eine Vorspannung zu erreichen. Andernfalls ist keine genaue Ausrichtung möglich.
- Kabelkanal am Profil ausrichten A2.
- Kabelkanal festschrauben A3.



Hinweis
Bohrschrauben mit Akkuschrauber
einschrauben.



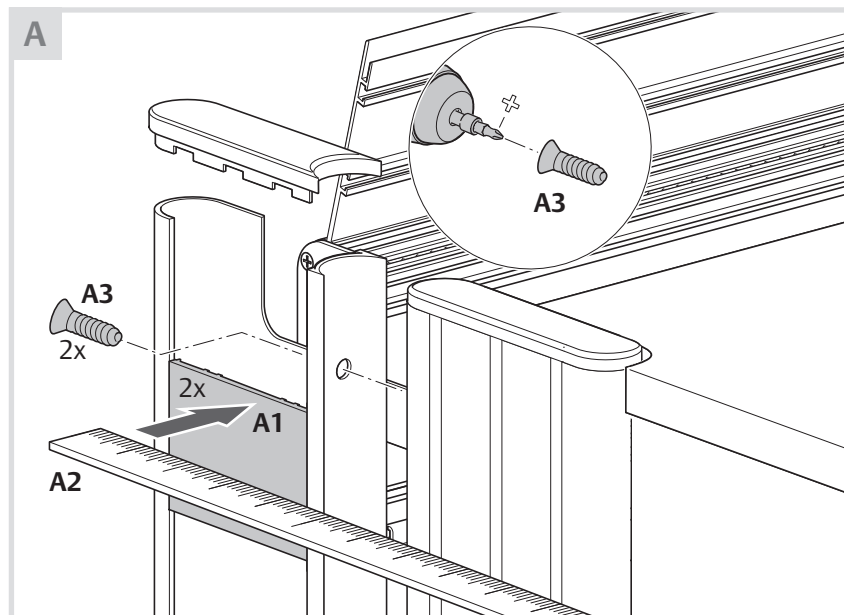
Assembly

Securing the cable duct

- On the closing side part the completely closed side must face outwards, the side with the segmented cover panels must face inwards towards the cable tray.
- Fit at least two covers A1 to prestress the assembly. Otherwise correct alignment will not be possible.
- Align the cable duct on the section A2.
- Secure the cable duct A3.

Information

Tighten the screws with the cordless
screwdriver.



Montage

Fixation du puits de câbles

- Côté élément latéral de fermeture, la face entièrement fermée doit être tournée vers l'extérieur et la face avec les plaques de protection segmentées vers l'intérieur vers la goulotte à câbles.
- Insérer au moins deux recouvrements A1 pour obtenir une précontrainte. Sinon il n'est pas possible d'avoir un ajustement précis.
- Ajuster la goulotte à câbles sur le profilé A2.
- Fixer la goulotte à câbles en bloquant les vis A3.

Nota

Fixer des vis autotaraudeuses avec une
visseuse sans fil.

Dacobas vertikaler Kabelkanal

DEUTSCH

Dacobas vertical cable duct

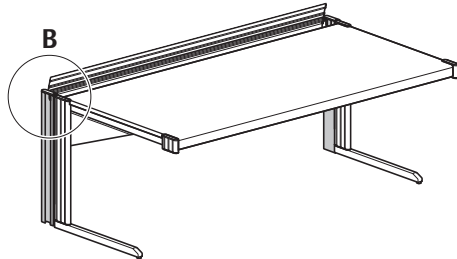
ENGLISH

Gaine de câblage verticale Dacobas

FRANÇAIS

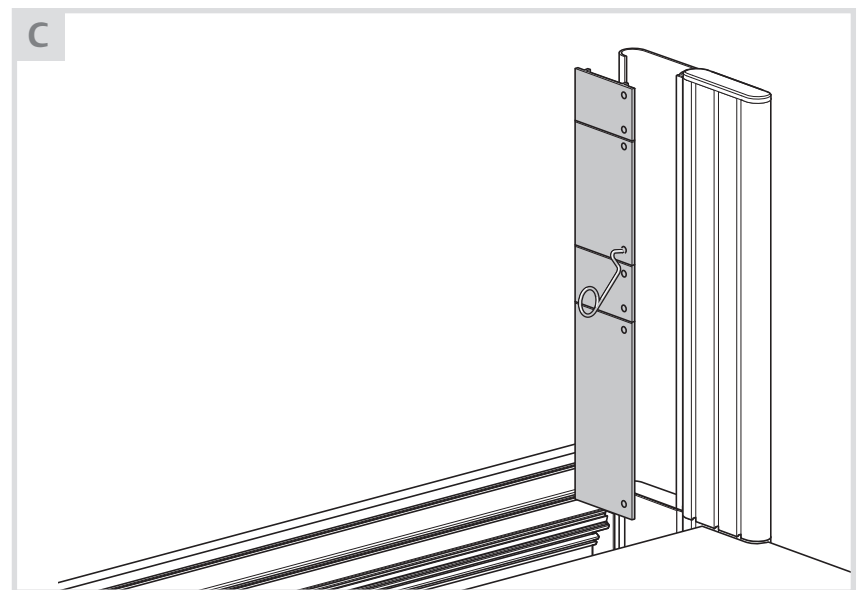
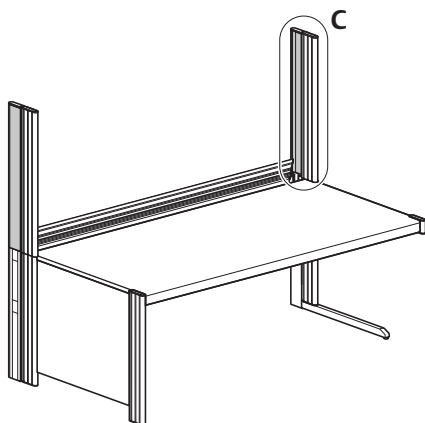
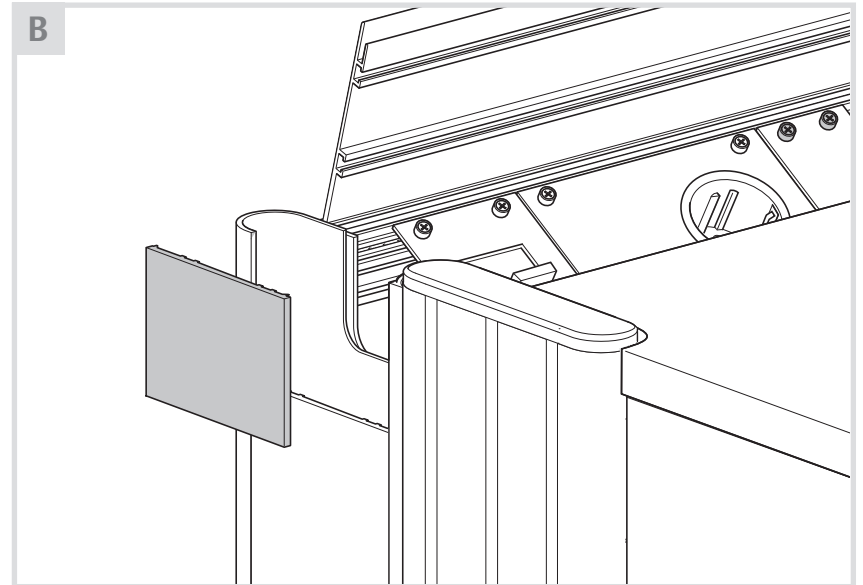
Abdeckungen aufsetzen

- Nach Abschluss aller Montagearbeiten Abdeckbleche aufsetzen und einrasten lassen.



Fitting the covers

- After completing all the assembly work, fit the cover panels and lock them into position.



Emerson Network Power is the global technology leader in numerous areas, and a recognized expert in helping to secure business-critical processes, and therefore contributes to "business-critical continuity." A whole range of the most varied applications, including the tried and tested Knürr rack system solutions and the accompanying thermal management, ensures the required network stability with maximum technological adaptability at the same time.

Knürr system solutions in the world of information and network technology are part of an adaptive architecture from Emerson Network Power, which flexibly adapts to changes concerning security, high-density and all associated capacities. Companies are provided sustainable and long-term benefits from the high IT availability, operative flexibility and impressive reduction in investment and operating costs.

The Knürr Technical Furniture business unit develops, produces and distributes technical workstation systems for control consoles, operation control centers and electronics labs, as well as mobile equipment carriers for the automotive and medical technology industries.

Knürr AG is recognized around the world as one of the leading developers, manufacturers and distributors of rack and enclosure platforms in the indoor and outdoor area, including all relevant active/passive components in 19" construction and the technologies associated with it. Knürr is part of Emerson Network Power.

Knürr is certified in accordance with EN ISO 9001 and EN ISO 14001, and its quality management continuously guarantees the highest standards in all areas of the company.

Emerson Network Power

The global leader in enabling business-critical continuity

- AC Power Systems
- Embedded Power
- Power Switching & Controls
- Site Monitoring
- Connectivity
- Integrated Cabinet Solutions
- Precision Cooling
- Surge & Signal Protection
- DC Power Systems
- Outside Plant
- Services
- Rack & Enclosure Systems

Knürr logo, Emerson Network Power and the Emerson Network Power logo are trademarks and service marks of Emerson Electric Co. ©2008 Emerson Electric Co.

Knürr AG Global Headquarters

Mariakirchener Straße 38
94424 Arnstorf • Germany
Tel. +49 (0) 87 23/27-0
Fax +49 (0) 87 23/27-154
info@knuerr.com
www.knuerr.com

Knürr Technical Furniture GmbH Business Unit

Hauptstraße 35
94439 Münchsdorf • Germany
Tel. +49 (0) 87 23/28-0
Fax +49 (0) 87 23/28-138
www.technical-furniture.com

While every precaution has been taken to ensure accuracy and completeness in this literature, Knürr AG assumes no responsibility, and disclaims all liability for damage resulting from use of this information or for any errors or omissions.

©2008 Knürr AG. All rights reserved throughout the world. Specifications subject to change without notice.

All names referred to are trademarks or registered trademarks of their respective owners.

®Knürr and the Knürr logo are registered trademarks of Knürr AG.

EmersonNetworkPower.com