

# Dacobas – Lampen-Adapter Dacobas – Lamp adapter Dacobas – Adapteur de lampes

## Assembly Instructions

### 1 Allgemeine Hinweise

Weitere Dokumentation beachten



**Achtung!**  
Montageanleitung „Dacobas – Arbeitsplatz“ oder „Dacobas – Leitwartentisch“ unbedingt beachten.

**Gültigkeit**  
Diese Anleitung gilt für folgende Dacobas-Komponenten der Knürr AG:  
– Lampen-Adapter

**Notwendiges Werkzeug**  
– Innensechskantschlüssel 6 mm

### General information

Refer to the other documentation

**Warning**  
See assembly instructions “Dacobas – Workstation” or “Dacobas – Control room desk”.

**Validity**  
This document applies to the following Dacobas components from Knürr AG:  
– Lamp adapter

**Tools required**  
– 6 mm Allen key

### Consignes générales

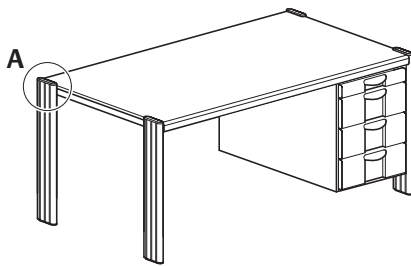
Respecter les indications ci-dessous

**Attention !**  
Respecter impérativement les instructions de montage “Dacobas – Poste de travail” ou “Dacobas – Bureau pour poste de contrôle”.

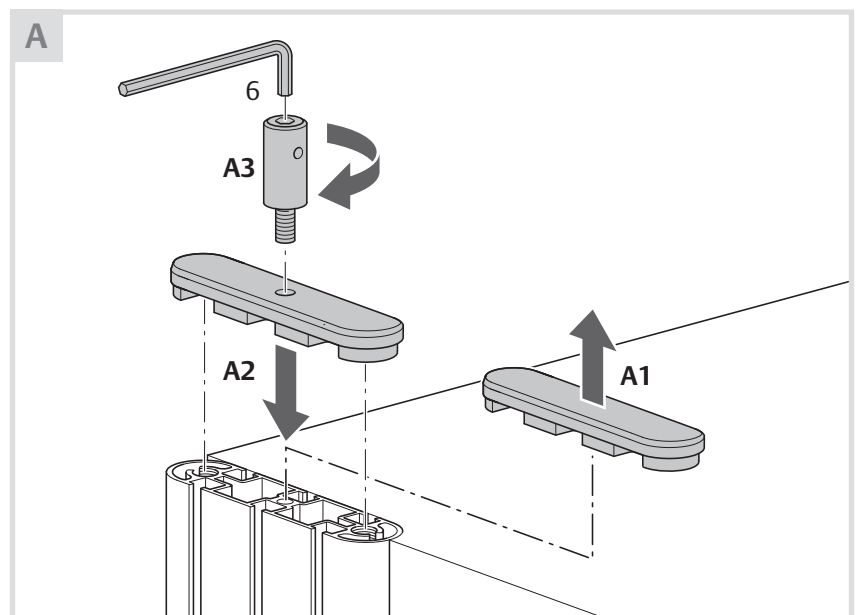
**Validité**  
Le présent manuel concerne les éléments Dacobas de Knürr AG suivants :  
– Adapteur de lampes

**Outils nécessaires**  
– clé Allen 6 mm

### 2 Montage



### Installation



### Montage

Emerson Network Power is the global technology leader in numerous areas, and a recognized expert in helping to secure business-critical processes, and therefore contributes to "business-critical continuity." A whole range of the most varied applications, including the tried and tested Knürr rack system solutions and the accompanying thermal management, ensures the required network stability with maximum technological adaptability at the same time.

Knürr system solutions in the world of information and network technology are part of an adaptive architecture from Emerson Network Power, which flexibly adapts to changes concerning security, high-density and all associated capacities. Companies are provided sustainable and long-term benefits from the high IT availability, operative flexibility and impressive reduction in investment and operating costs.

The Knürr Technical Furniture business unit develops, produces and distributes technical workstation systems for control consoles, operation control centers and electronics labs, as well as mobile equipment carriers for the automotive and medical technology industries.

Knürr AG is recognized around the world as one of the leading developers, manufacturers and distributors of rack and enclosure platforms in the indoor and outdoor area, including all relevant active/passive components in 19" construction and the technologies associated with it. Knürr is part of Emerson Network Power.

Knürr is certified in accordance with EN ISO 9001 and EN ISO 14001, and its quality management continuously guarantees the highest standards in all areas of the company.

#### Emerson Network Power

The global leader in enabling business-critical continuity

- AC Power Systems
- Embedded Power
- Power Switching & Controls
- Site Monitoring
- Connectivity
- Integrated Cabinet Solutions
- Precision Cooling
- Surge & Signal Protection
- DC Power Systems
- Outside Plant
- Services
- Rack & Enclosure Systems

Knürr logo, Emerson Network Power and the Emerson Network Power logo are trademarks and service marks of Emerson Electric Co. ©2008 Emerson Electric Co.

#### Knürr AG Global Headquarters

Mariakirchener Straße 38  
94424 Arnstorf • Germany  
Tel. +49 (0) 87 23/27-0  
Fax +49 (0) 87 23/27-154  
info@knuerr.com  
www.knuerr.com

#### Knürr Technical Furniture GmbH Business Unit

Hauptstraße 35  
94439 Münchsdorf • Germany  
Tel. +49 (0) 87 23/28-0  
Fax +49 (0) 87 23/28-138  
www.technical-furniture.com

While every precaution has been taken to ensure accuracy and completeness in this literature, Knürr AG assumes no responsibility, and disclaims all liability for damage resulting from use of this information or for any errors or omissions.

©2008 Knürr AG. All rights reserved throughout the world. Specifications subject to change without notice.

All names referred to are trademarks or registered trademarks of their respective owners.

®Knürr and the Knürr logo are registered trademarks of Knürr AG.

#### EmersonNetworkPower.com