

Dacobas – Schnellverbinder

Dacobas – Quick connector

Dacobas – Raccord rapide

Assembly Instructions

1 Allgemeine Hinweise

Weitere Dokumentation beachten



Achtung!
Montageanleitung „Dacobas – Arbeitsplatz“ oder „Dacobas – Leitwartentisch“ unbedingt beachten.

Gültigkeit
Diese Anleitung gilt für folgende Dacobas-Komponenten der Knürr AG:
– Schnellverbinder

Notwendiges Werkzeug
– Innensechskantschlüssel 3 mm, 8 mm
– Gabelschlüssel 26 mm

General information

Refer to the other documentation

Warning
See assembly instructions “Dacobas – Workstation” or “Dacobas – Control room desk”.

Validity
This document applies to the following Dacobas components from Knürr AG:
– Quick connector

Tools required
– 3 mm, 8 mm Allen key
– 26 mm open-ended spanner

Consignes générales

Respecter les indications ci-dessous

Attention !
Respecter impérativement les instructions de montage “Dacobas – Poste de travail” ou “Dacobas – Bureau pour poste de contrôle”.

Validité
Le présent manuel concerne les éléments Dacobas de Knürr AG suivants :
– Raccord rapide

Outils nécessaires
– clé Allen 3 mm, 8 mm
– clé à fourche 26 mm

2 Montage

Nutensteine

- Den Montageabstand von der Oberkante des Profils mit der Montagehilfe am Griff des Gabelschlüssels einstellen A2.

Installation

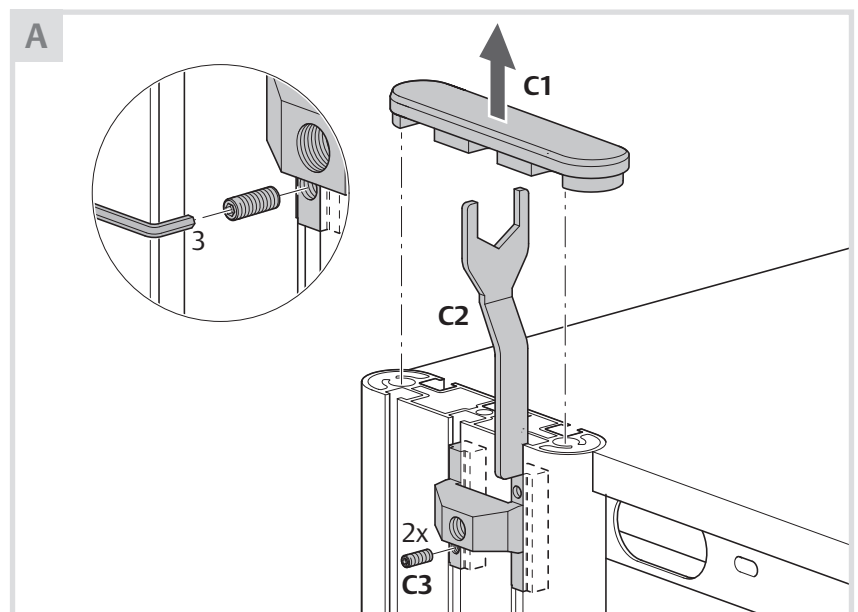
Fit connectors

- Adjust the installation spacing from the top of the desk top using the tool on the handle of the open-ended spanner.

Montage

Coulisseaux

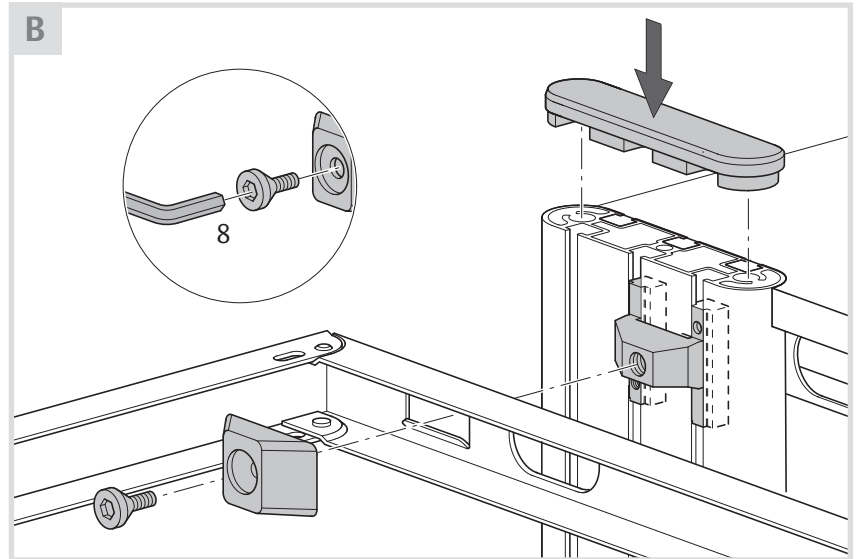
- Régler la distance de montage du bord supérieur du profilé à l'aide de l'auxiliaire de montage à la poignée de la clé à fourche A2.



Spannelemente

Clamping elements

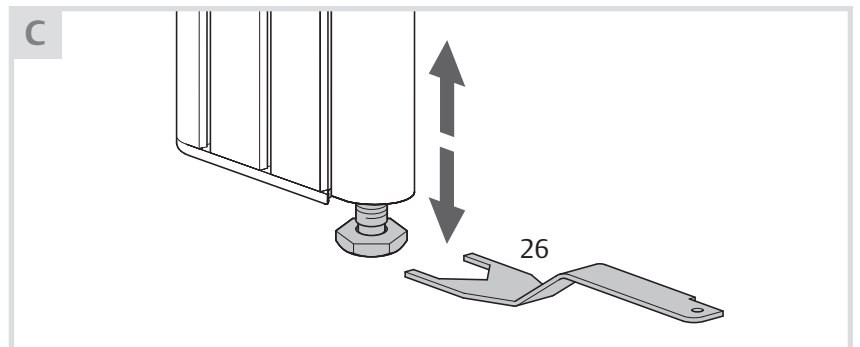
Éléments de fixation



3 Ausrichten

Alignment

Ajustement



While every precaution has been taken to ensure accuracy and completeness in this literature, Knürr AG assumes no responsibility, and disclaims all liability for damage resulting from use of this information or for any errors or omissions.

©2008 Knürr AG. All rights reserved throughout the world. Specifications subject to change without notice.

All names referred to are trademarks or registered trademarks of their respective owners.

©Knürr and the Knürr logo are registered trademarks of Knürr AG.

Knürr
Technical Furniture GmbH
Business Unit

Hauptstraße 35
 94439 Münchsdorf • Germany
 Tel. +49 (0) 87 23/28-0
 Fax +49 (0) 87 23/28-138
 www.technical-furniture.com

Knürr AG
Global Headquarters

Mariakirchener Straße 38
 94424 Arnstorf • Germany
 Tel. +49 (0) 87 23/27-0
 Fax +49 (0) 87 23/27-154
 info@knuerr.com
 www.knuerr.com

Emerson Network Power

The global leader in enabling business-critical continuity

EmersonNetworkPower.com

Knürr logo, Emerson Network Power and the Emerson Network Power logo are trademarks and service marks of Emerson Electric Co. ©2008 Emerson Electric Co.