

Dacomobile – Kabelmanagement

Dacomobile trolley – Cable management

Poste mobile Dacomobile – Cache-câbles

Assembly Instructions

1

Allgemeine Hinweise

Weitere Dokumentation beachten



Achtung!
User Manual „Gerätewagen“ und
Montageanleitung „Dacomobile –
Grundgestell“ unbedingt beachten.

Gültigkeit

Diese Anleitung gilt für folgende Geräte-
wagen-Komponenten der Knürr AG:

- Dacomobile Kabelkanal klein
- Dacomobile Kabelkanal groß

Notwendiges Werkzeug

- Innensechskantschlüssel 5 mm
- Akkuschauber mit Kreuzschlitz-Einsatz

General information

Refer to the other documentation

Warning
See user manual entitled “Mobile
workstations” and assembly instruc-
tions “Dacomobile trolley – Base
frame”.

Validity

These instructions apply to the following
trolley components from Knürr AG:

- Dacomobile small cable duct
- Dacomobile large cable duct

Tools required

- 5 mm Allen key
- Cordless screwdriver with Philips fitting

Consignes générales

Respecter les indications ci-dessous

Attention !
Respecter impérativement le manuel
utilisateur « Postes mobiles » et les ins-
tructions de montage « Poste mobile
Dacomobile – Châssis de base ».

Validité

Ce mode d'emploi est valable pour les
éléments de postes mobiles de Knürr AG
suivants :

- conduit de câbles petit modèle
Dacomobile
- conduit de câbles grand modèle
Dacomobile

Outils nécessaires

- Clé Allen 5 mm
- Visseuse sans fil à embout cruciforme

2 Montage

Kleiner Kabelkanal



Nur für ESD-Version:

- Zahnscheibe A1 verwenden.

Großer Kabelkanal

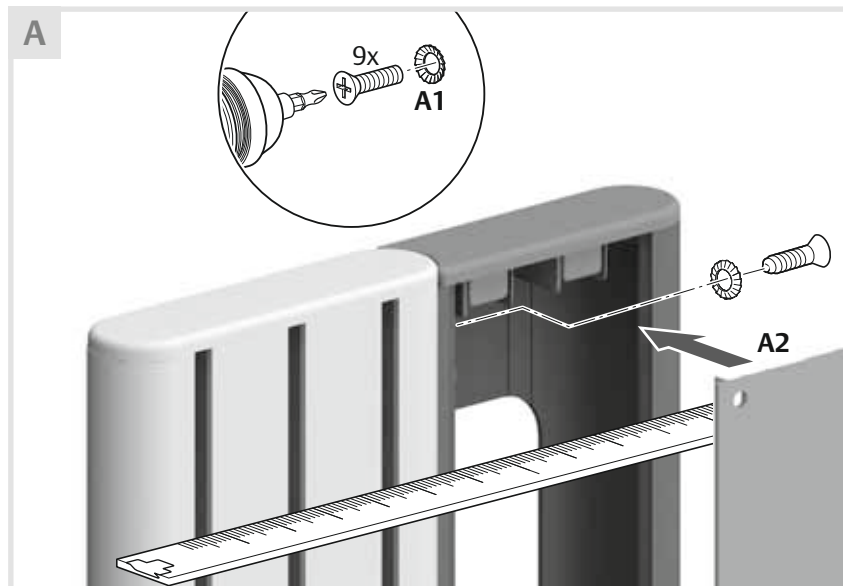
- Federmuttern nach Bohrungsmaß des Kabelkanals in die hintere Nut einsetzen.
- Kabelkanal auf der Kufe des Grundgestells aufsetzen und öffnen 3C.



- Kabelkanal nicht belasten, keine schweren Gegenstände anhängen.

Installation

Small cable duct

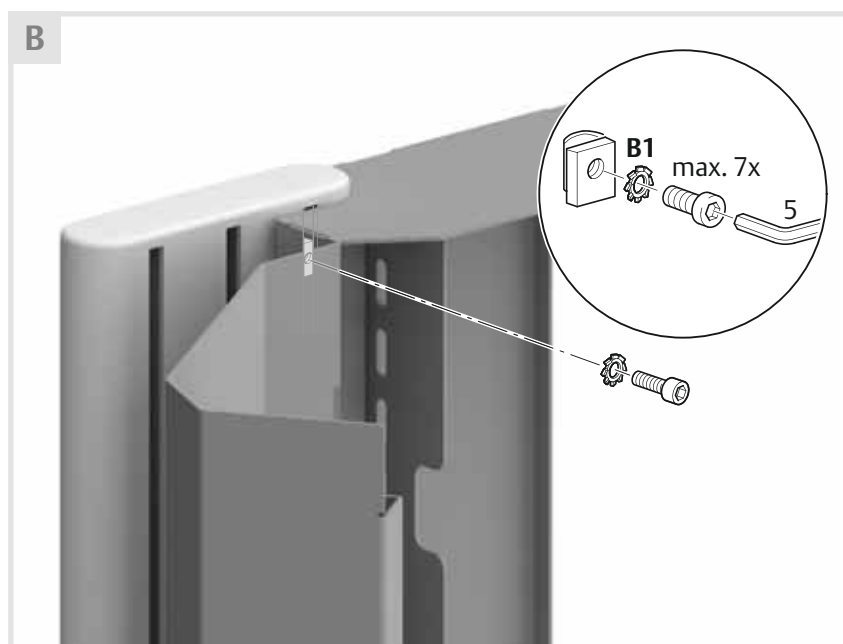


For ESD version only:

- Use washer A1.

Large cable duct

- Insert spring nuts to suit the borehole size in the cable duct in the rear groove.
- Place the cable duct on the base frame runner and open it 3C.



- Do not place loads on the cable duct, do not hang heavy objects on it.

Montage

Conduit de câbles petit modèle

Uniquement sur la version ESD :

- utiliser une rondelle dentée A1.

Conduit de câbles grand modèle

- Insérer les écrous à ressort dans la rainure arrière en fonction de la dimension des orifices du conduit de câbles.
- Placer le conduit de câbles sur le patin du châssis de base, puis l'ouvrir 3C.

- Ne pas charger le conduit de câbles, ne pas y accrocher d'objets lourds.

3 Öffnen und Schließen



Opening and closing

Ouverture et fermeture



4 Kabelführung

- Für hohe EMV-Sicherheit Netz- und Datenkabel getrennt durch je einen Kabelkanal führen.
- Kabel zur Tischplatte nach vorn über Gummilippe führen.
- Bei Bedarf optionale Kabelaufwicklung oder Kabelführungsset verwenden.
- Beim Verlegen der Kabel auf ausreichende Biegeradien achten. Kabel nicht knicken oder verdrehen!
- Alle Kabel sicher befestigen. Kabel nicht lose herabhängen lassen!
- Für Netz- oder Datenkabel, die vom Gerätewagen weg führen, eine Zugentlastung einbauen.

Cable routing

- For high EMC safety, route the network and data cables separately through one cable duct each.
- Route the cable to the worktop to the front over the rubber lip.
- If necessary use optional cable winder or cable routing kit.
- When positioning the cables ensure that you observe the minimum bending radii. Do not kink or twist the cables.
- Secure all cables properly. Do not allow cables to hang loosely.
- Fit a strain-relief clamp for network or data cables which lead away from the trolley.

Passage des câbles

- Pour une bonne sécurité en matière de CEM, faire passer le câble réseau et le câble des données dans des conduites de câbles séparées.
- Faire courir le câble vers l'avant jusqu'au plateau en faisant passer sur la lèvre en caoutchouc.
- En cas de besoin, utiliser un enrouleur de cordon ou un kit passe-câbles.
- Lors de la pose des câbles, veiller à ce que les rayons de courbure soient suffisants. Ne pas couder ni tordre les câbles !
- Fixer correctement tous les câbles. Ne pas laisser pendre les câbles !
- Pour le câble réseau ou le câble des données partant du poste mobile, installer un dispositif de soulagement de traction.

Emerson Network Power is the global technology leader in numerous areas, and a recognized expert in helping to secure business-critical processes, and therefore contributes to "business-critical continuity." A whole range of the most varied applications, including the tried and tested Knürr rack system solutions and the accompanying thermal management, ensures the required network stability with maximum technological adaptability at the same time.

Knürr system solutions in the world of information and network technology are part of an adaptive architecture from Emerson Network Power, which flexibly adapts to changes concerning security, high-density and all associated capacities. Companies are provided sustainable and long-term benefits from the high IT availability, operative flexibility and impressive reduction in investment and operating costs.

The Knürr Technical Furniture business unit develops, produces and distributes technical workstation systems for control consoles, operation control centers and electronics labs, as well as mobile equipment carriers for the automotive and medical technology industries.

Knürr AG is recognized around the world as one of the leading developers, manufacturers and distributors of rack and enclosure platforms in the indoor and outdoor area, including all relevant active/passive components in 19" construction and the technologies associated with it. Knürr is part of Emerson Network Power.

Knürr is certified in accordance with EN ISO 9001 and EN ISO 14001, and its quality management continuously guarantees the highest standards in all areas of the company.

Emerson Network Power

The global leader in enabling business-critical continuity

- AC Power Systems
- Embedded Power
- Power Switching & Controls
- Site Monitoring
- Connectivity
- Integrated Cabinet Solutions
- Precision Cooling
- Surge & Signal Protection
- DC Power Systems
- Outside Plant
- Services
- Rack & Enclosure Systems

Knürr logo, Emerson Network Power and the Emerson Network Power logo are trademarks and service marks of Emerson Electric Co. ©2008 Emerson Electric Co.

Knürr AG Global Headquarters

Mariakirchener Straße 38
94424 Arnstorf • Germany
Tel. +49 (0) 87 23/27-0
Fax +49 (0) 87 23/27-154
info@knuerr.com
www.knuerr.com

Knürr Technical Furniture GmbH Business Unit

Hauptstraße 35
94439 Münchsdorf • Germany
Tel. +49 (0) 87 23/28-0
Fax +49 (0) 87 23/28-138
www.technical-furniture.com

While every precaution has been taken to ensure accuracy and completeness in this literature, Knürr AG assumes no responsibility, and disclaims all liability for damage resulting from use of this information or for any errors or omissions.

©2008 Knürr AG. All rights reserved throughout the world. Specifications subject to change without notice.

All names referred to are trademarks or registered trademarks of their respective owners.

©Knürr and the Knürr logo are registered trademarks of Knürr AG.

EmersonNetworkPower.com