

Knürr Technical Furniture

Command Workstations & Control Room Consoles



Knürr Technical Furniture

We are one of the largest producers of modular technical furniture for mission-critical environments and mobile equipment carriers. Our core markets are in the segments industrial process, traffic control, public safety-security-defense, communication, medical-healthcare technology, research and testing, energy and automotive.



Knürr, your control room partner

With an experienced product management team, in-house design and solution experts, skilled craftsmen, premium product quality and staff willing to go that extra mile for the customer, Knürr develops solutions which are tailored to suit your individual needs.





Professional room layout planning

Knürr's designers and engineers are committed to meeting your most demanding business needs, including complex room layouts and equipment considerations. Our goal is to provide the most effective work environments for maximum 24/7 productivity.

- Control rooms to support diverse industries
- Designs exceeding demanding ergonomic standards
- Modular solutions to grow with future needs
- Designs for maximum workflow and efficiencies
- Analyses and designs for acoustics and lighting



Solutions for PEOPLE

Knürr's modular and space efficient technical furniture allows operators to harmoniously blend technology, safety and comfort. Our designs meet or exceed the latest ergonomic standards and provide form, function, layout, workflow, lighting solutions, and noise reduction.

Our designs allow you to protect your most valuable assets – your employees – while addressing financial considerations. Our modular designs can be deployed in new installations or redesigns, saving both time and money.



Command workstations & control room consoles

Modular
Ergonomic
Customizable

Knürr Synergy 4D

Comfortable ease of use –
electrically adjustable in all dimensions



Knürr Dacobas

The classic control room console from Knürr.
Fixed height, robust, with large space for PCs and cables.
Straight or arched layouts.



Knürr Synergy Console

Highly ergonomic:

- Height selectable from 650 - 850mm, or
- Electrically height adjustable (sit-stand) from 650 - 1250mm



Knürr Synergy Wall

- Frame systems for LCD/LED video-walls
- Available with or without displays
- Can be combined with control room layouts



Knürr Elicon

Height-selectable solution.

Add shelves or 19" enclosures overhead, PC shelving, or cable routing with high-capacity raceways.



Synergy 4D – Ergonomics in 4 dimensions!

- 1D:** Desktop height from 650mm to 1250mm
- 2D:** Desktop depth adjustable from 0-150mm for best individual viewing distance
- 3D:** Height adjustment of the monitor rail from 0-300mm
- 4D:** Display pivot of 35°, without additional drive and switch



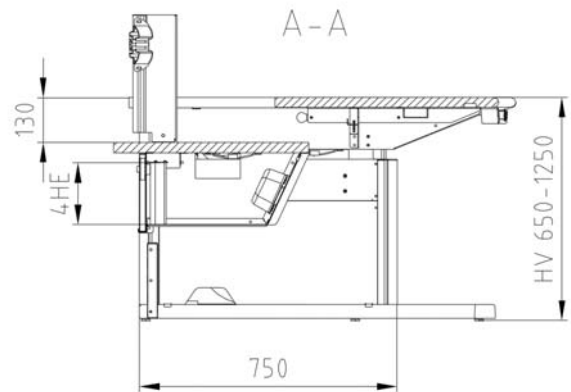
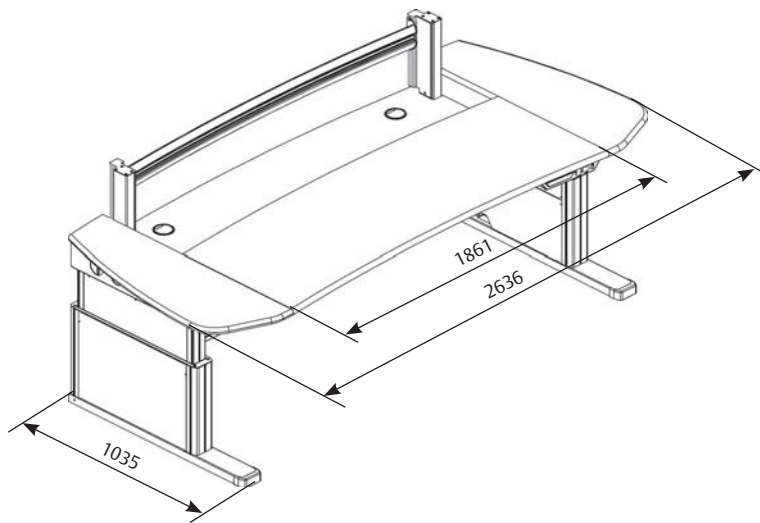
Advantages of Synergy 4D

Ideal viewing angles are ensured by single button height & angle control. Our lifting mechanisms are maintenance-free. Operators can individually adjust viewing distances to displays with the integrated power controls. As an added safety feature, **monitor cabling** is housed in protective channels at all times.

Cables exit in both desk side panels and the rear of the console. **Integrated rack:** 4HU, 19" pedestal located under the displays offers room for cables, switches, and individual devices. Short cable ways provide the **best signal quality!** Cleverly concealed cable raceways with integrated cable 'guiding chains' in the desk side panels and footrest ensure **easy access and protection for cables.**

Synergy's ergonomically designed desktop provides ideal viewing angles for displays, while our ErgoEdge* desktop material provides a pleasant surface temperature and long console service life. Additional features include recessed grips under desktop, modularity and upgradability, and options include overhead lamp, technical pedestal in place of footrest, and modesty panels.

*ergonomic front edge



Synergy 4D

Synergy 4D el. adjustable console desk for 3 displays
 Synergy 4D single display adapters with pivot function

Order number

04.411.117.9000012
 93.200.325.6

Material

- Side panel vertical supports: extruded aluminum, powder-coated
- Covers, foot stabilizer, desk tray and worktop stabilizer: sheet steel, powder-coated
- Bumper caps: plastic
- Worktop: 30mm three layer particle board, FP / Y E1 version, fire protection class B2
- Worktop coating: high pressure plastic laminate
- ErgoEdge desk edge: PVC

Finishes:

Basic frames

Side panel vertical extrusions, desk tray and worktop stabilizer: RAL 9006 white aluminum

Covers, foot stabilizer and foot caps: RAL 7021 dark gray

Worktop coating in basalt gray, ErgoEdge impact edge and veneer in RAL 7021 dark gray.

Load rating

Console total: 1200N (static surface load)

Monitor fixture: 800N

Console desktop dimensions

Width: 2640mm Depth: 1170mm + 150mm

Height range console desk

650mm - 1250mm (stepless, power-operated)

Setting range monitor level

Height: 300mm, thereof 100mm for tilting
 Angle adjustment: 0 - 35°

Depth adjustment of worktop

0mm - 150mm (stepless, power-operated)

Scope of supply

1 freeform desktop, depth adjustable

2 fixed desktop sides

1 desktop for monitor level

1 basic frame with cable raceways, depth and height adjustments

1 control unit for height setting mechanism

1 desk pedestal 19", 4HU, with 2 rear covers

1 footrest with cable raceway

Mounting material

How supplied

Fully assembled

Note

Accessories (see drawings)not included in supply schedule

WE PUT SPACE TO WORK. WORLDWIDE

Emerson is based in St. Louis, Missouri (USA), and as a leading technology and development specialist provides globally innovative customer solutions to industry, business and consumer markets in the areas of network power supply, process management, industrial automation and thermal management, as well as the corresponding equipment and tools.

The Knürr Technical Furniture manufactures and develops workstations for electronics labs and mobile equipment carriers for healthcare and automotive industries. Furthermore Knürr is the specialist for height adjustable control room workstations.

www.emerson.com
www.technical-furniture.com

Knürr Technical Furniture GmbH
Mariakirchener Straße 38
94424 Arnstorf • Germany
T +49 8723 28 0
F +49 8723 28 138
furniture@knuerr.com



While every precaution has been taken to ensure accuracy and completeness in this literature, InterMetro Industries Corporation assumes no responsibility and disclaims all liability for damages resulting from use of this information or for any errors or omissions.

The Emerson Logo is a trademark and a service mark of Emerson Electric Company.
©2012 Emerson Electric Co.

