

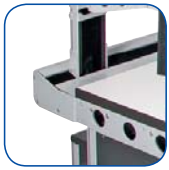
Knürr SynergyConsole® Basic

The New Height Fixed KVM-ready Console in Your Control Room



Knürr Synergy Basic

The New Height Fixed KVM-ready Console in Your Control Room



Monitor Level
04.415.415.9



Flat screen support adapter, 1-row 04.415.004.9
Telescopic TFT arm
04.412.002.9



Trapezoid Corner (diagonal back)
04.417.160.1



Link-up/End Desk W1200
Height-fixed
04.416.133.1



Technical Pedestal - SLIM
04.417.615.9

24/7 Control Room Chair Mr. 24
00.350.073.9



Perforated Rear Panel for SynergyConsole®
04.415.813.9



Starter Desk W1600
Height-fixed
04.416.125.1



Perforated rear panel for SynergyConsole®
Corner Piece
04.415.960.9



Knürr SynergyConsole® Basic

Height fixed Workstation

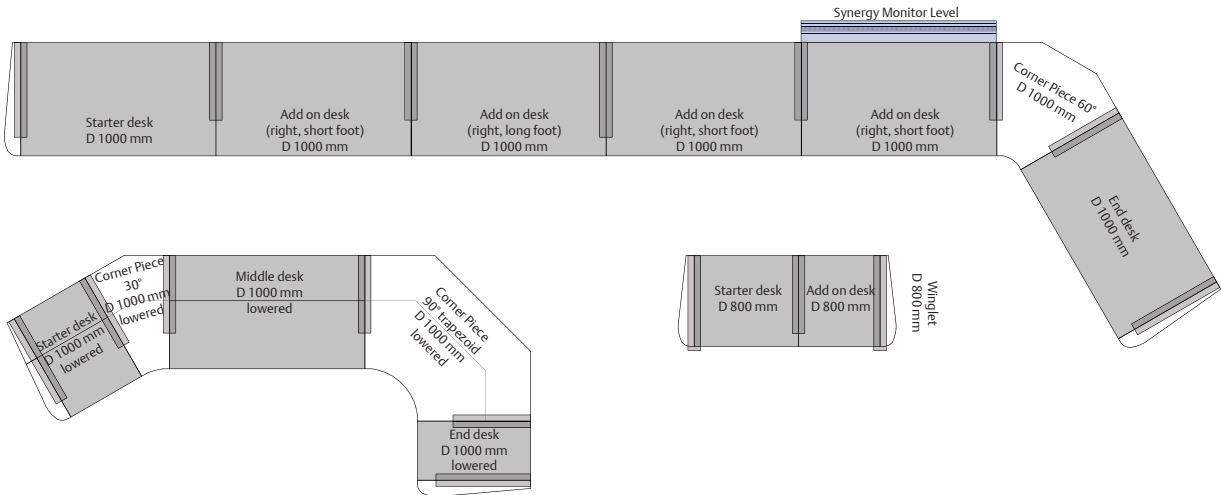
- Standards Compliance and Ergonomics
- Synergy Basic solution
- Stable construction
- Ergonomic and robust Desktop Edge
- Scalable/ Modular construction
- Best solution for KVM applications
- Spacious Side Elements for Cabling
- ErgoCon-/Synergy-/Pole Monitorholders
- Offset Monitor Level available

■ Comfortable Cable Entry through Side Element

- Optional integrated 2U 19" KVM Bays
- Choose from 3 types of Monitorholders

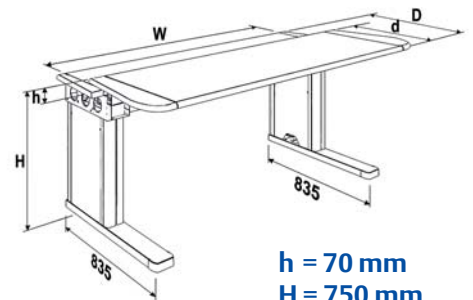


Knürr SynergyConsole® Basic



Knürr SynergyConsole® Basic

Single Desk



h = 70 mm
H = 750 mm

Surface Colors:



.1 Light Gray



Maple



.5 Beech



**Nano:
Bianco malé**



.9 Basalt Gray



**Nano:
Grigio Londra**

Please note: New scratch resistant Nano worktop surfaces with ultra-low reflectivity and extra smooth touch!

Dimensions in mm: W= Width
C = Usable width
H = Height
D = Depth
h = Installation height
d = Usable depth
L = Length

HU = Standard height unit, 1 HU = 44.45 mm
19" = 482.6 mm, (ideal for 19" components in acc. with DIN 41494)
UP = Unit of packaging
kg = Weight

Conversion: 1 inch = 25,4 mm

Replace „x“ with the number of your color choice

Knürr SynergyConsole® Basic Single Desk Height-fixed with straight work top

D	W	Order no.	UP
800	633	04.416.010.x	1 unit
800	833	04.416.011.x	1 unit
800	1033	04.416.012.x	1 unit
800	1233	04.416.013.x	1 unit
800	1433	04.416.014.x	1 unit
800	1633	04.416.015.x	1 unit
800	1833	04.416.016.x	1 unit
800	2033	04.416.017.x	1 unit
1000	633	04.416.110.x	1 unit
1000	833	04.416.111.x	1 unit
1000	1033	04.416.112.x	1 unit
1000	1233	04.416.113.x	1 unit
1000	1433	04.416.114.x	1 unit
1000	1633	04.416.115.x	1 unit
1000	1833	04.416.116.x	1 unit
1000	2033	04.416.117.x	1 unit

Knürr SynergyConsole® Basic Single Desk Height-fixed with lowered monitor surface

D	W	d	Order no.	UP
1000	633	600	04.416.310.x	1 unit
1000	833	600	04.416.311.x	1 unit
1000	1033	600	04.416.312.x	1 unit
1000	1233	600	04.416.313.x	1 unit
1000	1433	600	04.416.314.x	1 unit
1000	1633	600	04.416.315.x	1 unit
1000	1833	600	04.416.316.x	1 unit
1000	2033	600	04.416.317.x	1 unit

Knürr SynergyConsole® Basic Worktop Winglets

D	Order no. (right)	(left)	UP
800	04.415.077.x	076.x	1 unit
1000	04.415.071.x	070.x	1 unit
400 (lowered rear)	04.415.075.x	074.x	1 unit
600 (lowered front)	04.415.073.x	072.x	1 unit

Knürr SynergyConsole® Basic Starter Desk Height-fixed



Straight Work Top				Lowered Monitor Surface	
D	W	Order no.	UP	d	Order no.
800	633	04.416.020.x	1 unit		
800	833	04.416.021.x	1 unit		
800	1033	04.416.022.x	1 unit		
800	1233	04.416.023.x	1 unit		
800	1433	04.416.024.x	1 unit		
800	1633	04.416.025.x	1 unit		
800	1833	04.416.026.x	1 unit		
800	2033	04.416.027.x	1 unit		
1000	633	04.416.120.x	1 unit	600	04.416.320.x
1000	833	04.416.121.x	1 unit	600	04.416.321.x
1000	1033	04.416.122.x	1 unit	600	04.416.322.x
1000	1233	04.416.123.x	1 unit	600	04.416.323.x
1000	1433	04.416.124.x	1 unit	600	04.416.324.x
1000	1633	04.416.125.x	1 unit	600	04.416.325.x
1000	1833	04.416.126.x	1 unit	600	04.416.326.x
1000	2033	04.416.127.x	1 unit	600	04.416.327.x

Knürr SynergyConsole® Basic End Desk Height-fixed



Straight Work Top				Lowered Monitor Surface	
D	W	Order no.	UP	d	Order no.
800	633	04.416.030.x	1 unit		
800	833	04.416.031.x	1 unit		
800	1033	04.416.032.x	1 unit		
800	1233	04.416.033.x	1 unit		
800	1433	04.416.034.x	1 unit		
800	1633	04.416.035.x	1 unit		
800	1833	04.416.036.x	1 unit		
800	2033	04.416.037.x	1 unit		
1000	633	04.416.130.x	1 unit	600	04.416.330.x
1000	833	04.416.131.x	1 unit	600	04.416.331.x
1000	1033	04.416.132.x	1 unit	600	04.416.332.x
1000	1233	04.416.133.x	1 unit	600	04.416.333.x
1000	1433	04.416.134.x	1 unit	600	04.416.334.x
1000	1633	04.416.135.x	1 unit	600	04.416.335.x
1000	1833	04.416.136.x	1 unit	600	04.416.336.x
1000	2033	04.416.137.x	1 unit	600	04.416.337.x

Knürr SynergyConsole® Basic Accessories

■ Perforated Rear Panel



W	W (Add on Desk)	Order no.	UP
633	523	04.415.810.9	1 unit
833	723	04.415.811.9	1 unit
1033	923	04.415.812.9	1 unit
1233	1123	04.415.813.9	1 unit
1433	1323	04.415.814.9	1 unit
1633	1523	04.415.815.9	1 unit
1833	1723	04.415.816.9	1 unit
2033	1923	04.415.817.9	1 unit

■ Perforated rear panel for Corner Piece



	Order no.	UP
for Corner Piece 15°	04.415.910.9	1 unit
for Corner Piece 30°	04.415.920.9	1 unit
for Corner Piece 45°	04.415.930.9	1 unit
for Corner Piece 60°	04.415.940.9	1 unit
for Corner Piece 90° (diagonal back)	04.415.950.9	1 unit
Trapezoid Corner (diagonal back)	04.415.960.9	1 unit

■ Monitor Level



W	Order no.	UP
523	04.415.450.9	1 unit
723	04.415.451.9	1 unit
923	04.415.452.9	1 unit
1123	04.415.453.9	1 unit
1323	04.415.454.9	1 unit
1523	04.415.455.9	1 unit
1723	04.415.456.9	1 unit
1923	04.415.457.9	1 unit

Basic Link-up Desk, Middle Height-fixed



Straight Work Top				Lowered Monitor Surface	
D	W	Order no.	UP	d	Order no.
800	633	04.416.040.x	1 unit		
800	833	04.416.041.x	1 unit		
800	1033	04.416.042.x	1 unit		
800	1233	04.416.043.x	1 unit		
800	1433	04.416.044.x	1 unit		
800	1633	04.416.045.x	1 unit		
800	1833	04.416.046.x	1 unit		
800	2033	04.416.047.x	1 unit		
				following each 1 unit	
1000	633	04.416.140.x	1 unit	600	04.416.340.x
1000	833	04.416.141.x	1 unit	600	04.416.341.x
1000	1033	04.416.142.x	1 unit	600	04.416.342.x
1000	1233	04.416.143.x	1 unit	600	04.416.343.x
1000	1433	04.416.144.x	1 unit	600	04.416.344.x
1000	1633	04.416.145.x	1 unit	600	04.416.345.x
1000	1833	04.416.146.x	1 unit	600	04.416.346.x
1000	2033	04.416.147.x	1 unit	600	04.416.347.x

Add-On Desk, Long Stabilizer Height-fixed, left or right mounting



Straight Work Top					Lowered Monitor Surface		
D	W	Order no. (right)	(left)	UP	d	Order no. (right)	(left)
800	523	04.416.050.x	070.x	1 unit			
800	723	04.416.051.x	071.x	1 unit			
800	923	04.416.052.x	072.x	1 unit			
800	1123	04.416.053.x	073.x	1 unit			
800	1323	04.416.054.x	074.x	1 unit			
800	1523	04.416.055.x	075.x	1 unit			
800	1723	04.416.056.x	076.x	1 unit			
800	1923	04.416.057.x	077.x	1 unit			
					following each 1 unit		
1000	523	04.416.150.x	170.x	1 unit	600	04.416.350.x	.370.x
1000	723	04.416.151.x	171.x	1 unit	600	04.416.351.x	.371.x
1000	923	04.416.152.x	172.x	1 unit	600	04.416.352.x	.372.x
1000	1123	04.416.153.x	173.x	1 unit	600	04.416.353.x	.373.x
1000	1323	04.416.154.x	174.x	1 unit	600	04.416.354.x	.374.x
1000	1523	04.416.155.x	175.x	1 unit	600	04.416.355.x	.375.x
1000	1723	04.416.156.x	176.x	1 unit	600	04.416.356.x	.376.x
1000	1923	04.416.157.x	177.x	1 unit	600	04.416.357.x	.377.x

Knürr SynergyConsole® Basic Accessories

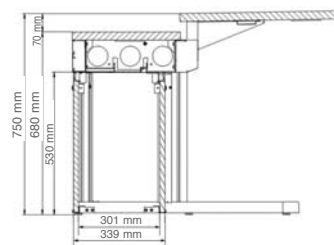
■ Flat Screen Holder for Knürr SynergyConsole® Basic



L	H		Order no.	UP
40		Short TFT arm	04.412.001.9	1 unit
270-380		Telescopic TFT arm	04.412.002.9	1 unit
	415	Flat screen support adapter, 1-row	04.415.004.9	1 unit
	775	Flat screen support adapter, 2-row	04.415.006.9	1 unit

Please note: Synergy Console® Basic can also be equipped with monitor poles or ErgoCon style monitor levels. Please ask for details.

■ Knürr SynergyConsole® Basic Technical Pedestal – SLIM



W	w	d	Order no.	h	Order no. (lowered worktop)	h	UP
600	410	301	04.417.610.9	600	04.417.600.9	530	1 unit
800	610	301	04.417.611.9	600	04.417.601.9	530	1 unit
1000	810	301	04.417.612.9	600	04.417.602.9	530	1 unit
1200	1010	301	04.417.613.9	600	04.417.603.9	530	1 unit
1400	1210	301	04.417.614.9	600	04.417.604.9	530	1 unit
1600	1410	301	04.417.615.9	600	04.417.605.9	530	1 unit
1800	1610	301	04.417.616.9	600	04.417.606.9	530	1 unit
2000	1810	301	04.417.617.9	600	04.417.607.9	530	1 unit

Add-On Desk, Short Stabilizer Height-fixed, left or right mounting



Straight Work Top				Lowered Monitor Surface			
D	W	Order no. (right)	(left)	UP	d	Order no. (right)	(left)
800	523	04.416.060.x	080.x	1 unit			
800	723	04.416.061.x	081.x	1 unit			
800	923	04.416.062.x	082.x	1 unit			
800	1123	04.416.063.x	083.x	1 unit			
800	1323	04.416.064.x	084.x	1 unit			
800	1523	04.416.065.x	085.x	1 unit			
800	1723	04.416.066.x	086.x	1 unit			
800	1923	04.416.067.x	087.x	1 unit			
1000	523	04.416.160.x	180.x	1 unit	600	04.416.360.x	.380.x
1000	723	04.416.161.x	181.x	1 unit	600	04.416.361.x	.381.x
1000	923	04.416.162.x	182.x	1 unit	600	04.416.362.x	.382.x
1000	1123	04.416.163.x	183.x	1 unit	600	04.416.363.x	.383.x
1000	1323	04.416.164.x	184.x	1 unit	600	04.416.364.x	.384.x
1000	1523	04.416.165.x	185.x	1 unit	600	04.416.365.x	.385.x
1000	1723	04.416.166.x	186.x	1 unit	600	04.416.366.x	.386.x
1000	1923	04.416.167.x	187.x	1 unit	600	04.416.367.x	.387.x

Cabling system for technical pedestal – SLIM

W	Order no.	UP
600	04.412.800.7	1 unit
800	04.412.801.7	1 unit
1000	04.412.802.7	1 unit
1200	04.412.803.7	1 unit
1400	04.412.804.7	1 unit
1600	04.412.805.7	1 unit
1800	04.412.806.7	1 unit



Set with two separated cable ducts

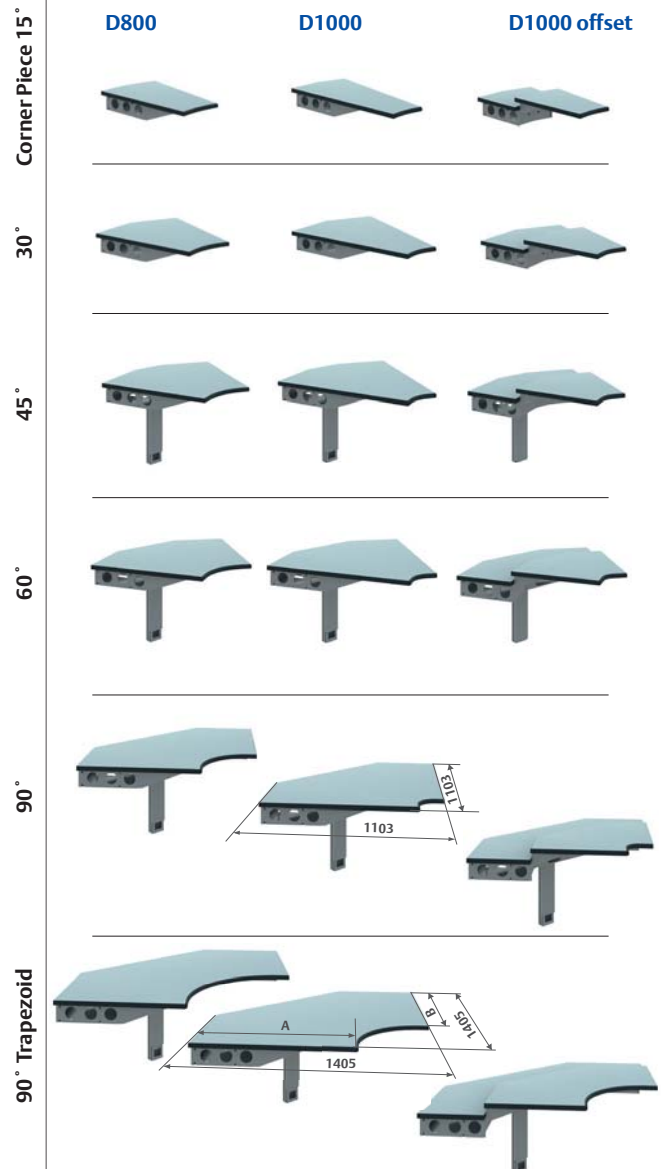


2U 19" KVM Bay

W	H	HU	Order no.	UP
520	109	2	04.412.657.7	1 unit



Knürr SynergyConsole® Basic Corner Piece



	A	B	Order no.	UP
Straight Work Top				
Corner Piece 15°	800	800	04.417.010.x	1 unit
Corner Piece 30°	800	800	04.417.020.x	1 unit
Corner Piece 45°	800	800	04.417.030.x	1 unit
Corner Piece 60°	800	800	04.417.040.x	1 unit
Corner Piece 90° (diagonal back)	800	800	04.417.050.x	1 unit
Trapezoid Corner (diagonal back)	800	800	04.417.060.x	1 unit
Corner Piece 15°	1000	1000	04.417.110.x	1 unit
Corner Piece 30°	1000	1000	04.417.120.x	1 unit
Corner Piece 45°	1000	1000	04.417.130.x	1 unit
Corner Piece 60°	1000	1000	04.417.140.x	1 unit
Corner Piece 90° (diagonal back)	1000	1000	04.417.150.x	1 unit
Trapezoid Corner (diagonal back)	1000	1000	04.417.160.x	1 unit
Lowered Monitor Surface				
Corner Piece 15°	1000	1000	04.417.111.x	1 unit
Corner Piece 30°	1000	1000	04.417.121.x	1 unit
Corner Piece 45°	1000	1000	04.417.131.x	1 unit
Corner Piece 60°	1000	1000	04.417.141.x	1 unit
Corner Piece 90° (diagonal back)	1000	1000	04.417.151.x	1 unit
Trapezoid Corner (diagonal back)	1000	1000	04.417.161.x	1 unit

WE PUT SPACE TO WORK. WORLDWIDE

Emerson is based in St. Louis, Missouri (USA), and as a leading technology and development specialist provides globally innovative customer solutions to industry, business and consumer markets in the areas of network power supply, process management, industrial automation and thermal management, as well as the corresponding equipment and tools.

The Knürr Technical Furniture manufactures and develops workstations for electronics labs and mobile equipment carriers for healthcare and automotive industries. Furthermore Knürr is the specialist for height adjustable control room workstations.

www.emerson.com
www.technical-furniture.com

Knürr Technical Furniture GmbH
Mariakirchener Straße 38
94424 Arnstorf • Germany
T +49 8723 28 0
F +49 8723 28 138
furniture@knuerr.com



While every precaution has been taken to ensure accuracy and completeness in this literature, InterMetro Industries Corporation assumes no responsibility and disclaims all liability for damages resulting from use of this information or for any errors or omissions.

The Emerson Logo is a trademark and a service mark of Emerson Electric Company.
©2012 Emerson Electric Co.

